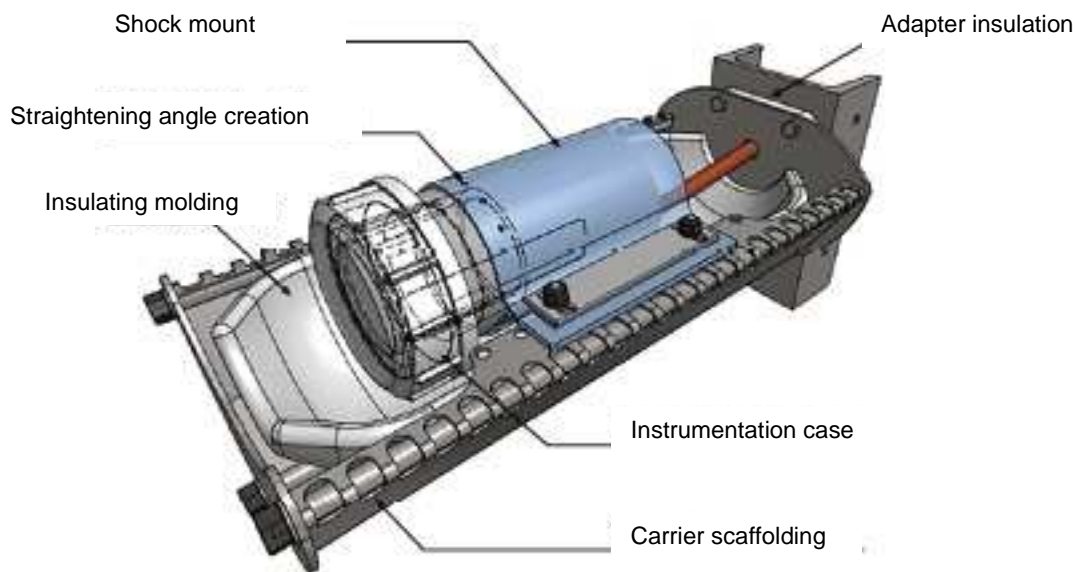


New: mobile, wireless temperature measurement

- no energy and signal wiring
- ergonomic transition/ service thru quick-release-system
- extendible on 2nd temperature measuring and lower body protection



Area of operation:

- rotary furnace
- melting furnace, transport crucible and ladle
- gutters
- max. allowable environmental temperature up to 580°C
- constructions, where there is no ideal wireless alignment given +/- 30° transmission frequency optimizing

Contact: **Peter Geiwagner** (08677 / 884-190 or peter.geiwagner@fiwagroup.com)